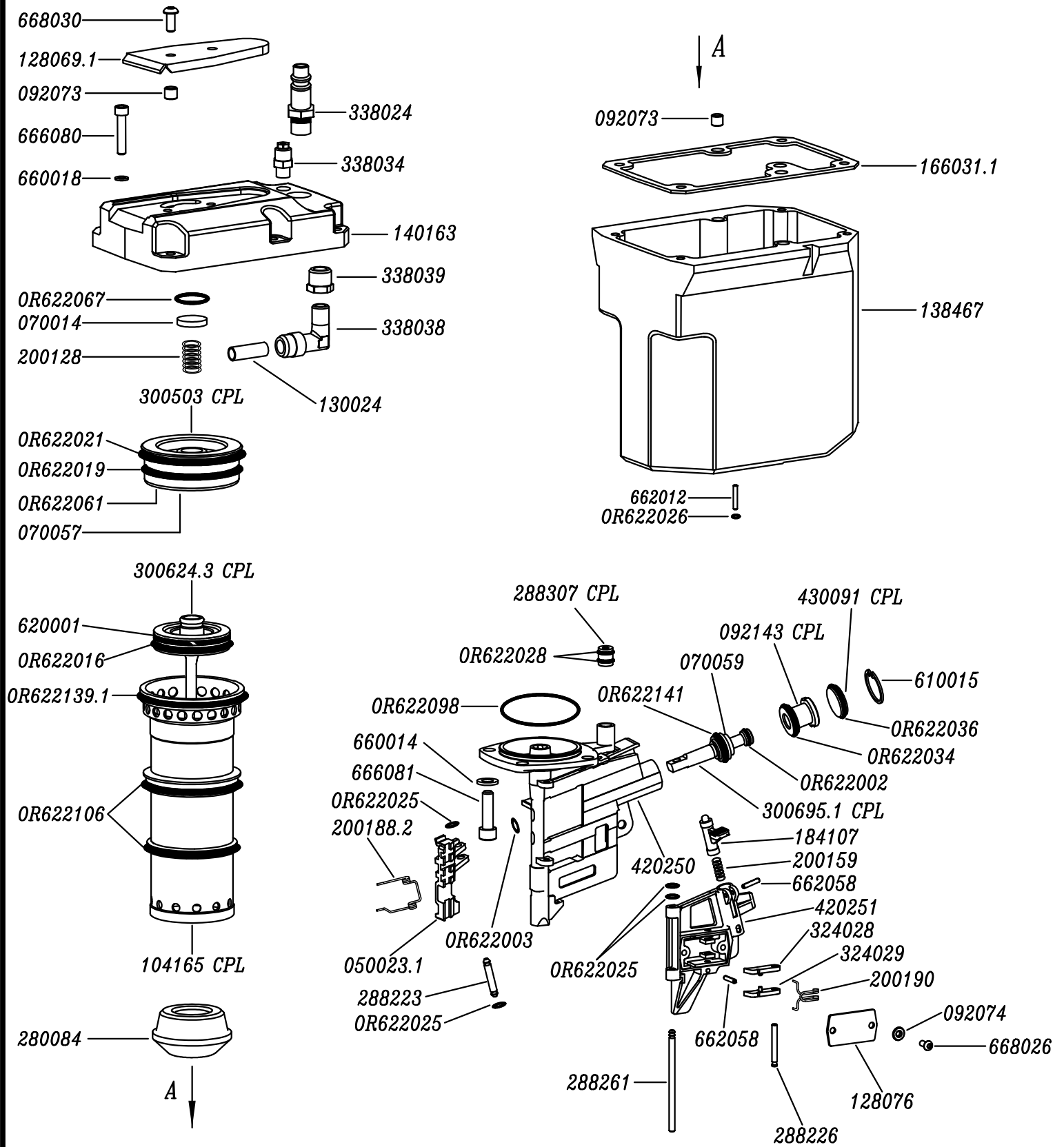


# HEAD CN90 A



TOOL CODE	ESP
R30934.03	2